

HP systems®

Hydraulic Power Systems

HYDRAULIC CYLINDERS





GARBAGE TRUCK APPLICATION



Hydraulic Power Systems

13-15 M3 GARBAGE TRUCK TELESCOPIC CYLINDER



GARBAGE TRUCK TELESCOPIC CYLINDER										
A	B	C	D	E	F	G	H	R	P	STROK
1345										2845

WORKING PRESSURE 200 BAR			
STAGES	1.	2.	3.
BORU			
ROD			
PUSHING FORCE	25 Ton	16 Ton	7,85 Ton
PULLING FORCE	3,85 Ton	4,45 Ton	3 Ton

MAXIMUM WORKING PRESSURE : 250 BAR

13-15 M3 GARBAGE TRUCK TELESCOPIC CYLINDER

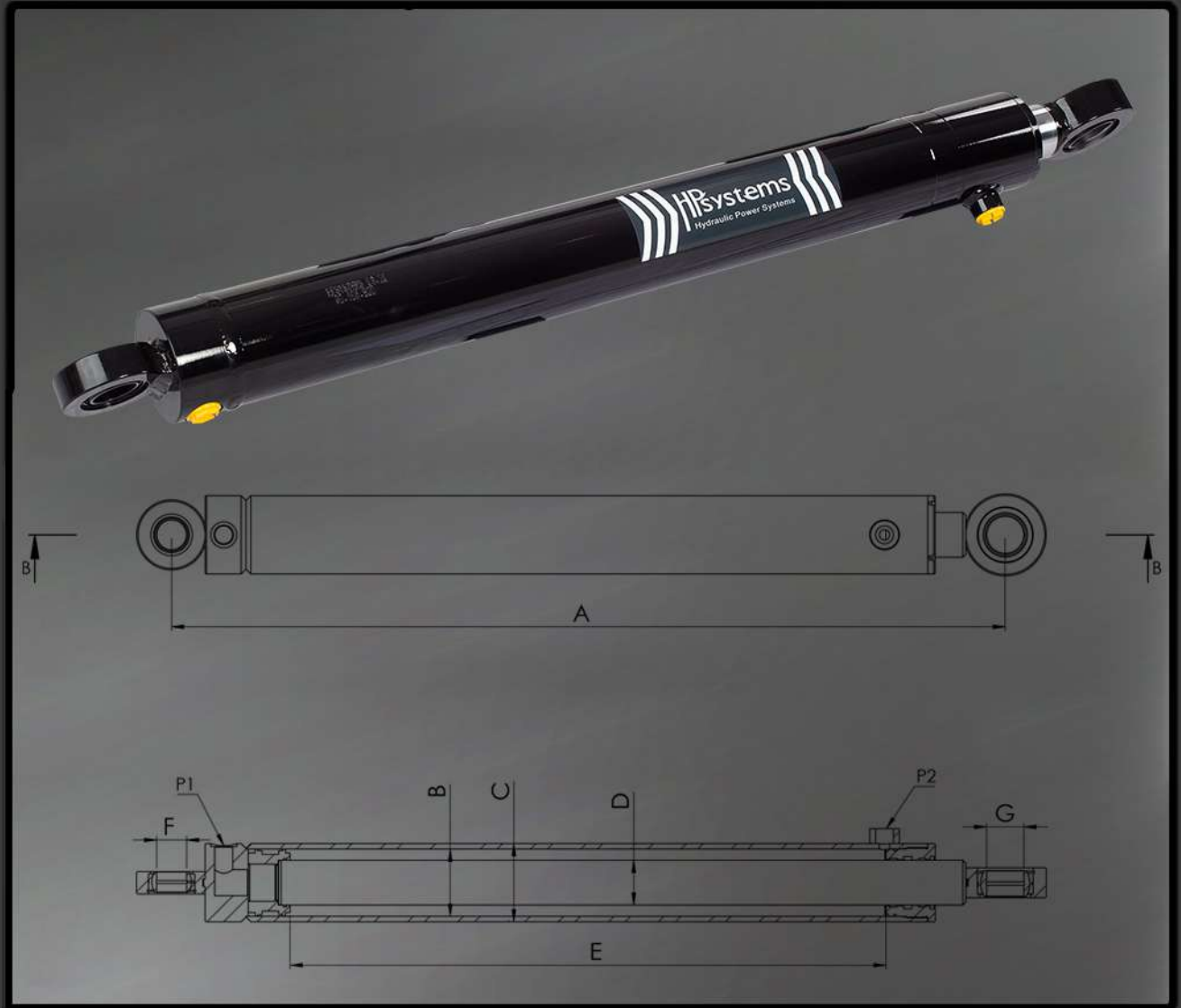


GARBAGE TRUCK TELESCOPIC CYLINDER										
A	B	C	D	E	F	G	H	R	P	STROK
1345										2845

WORKING PRESSURE 200 BAR			
STAGES	1.	2.	3.
BORU			
ROD			
PUSHING FORCE	25 Ton	16 Ton	7,85 Ton
PULLING FORCE	3,85 Ton	4,45 Ton	3 Ton

MAXIMUM WORKING PRESSURE : 250 BAR

13-15 M3 GARBAGE TRUCK TELESCOPIC CYLINDER

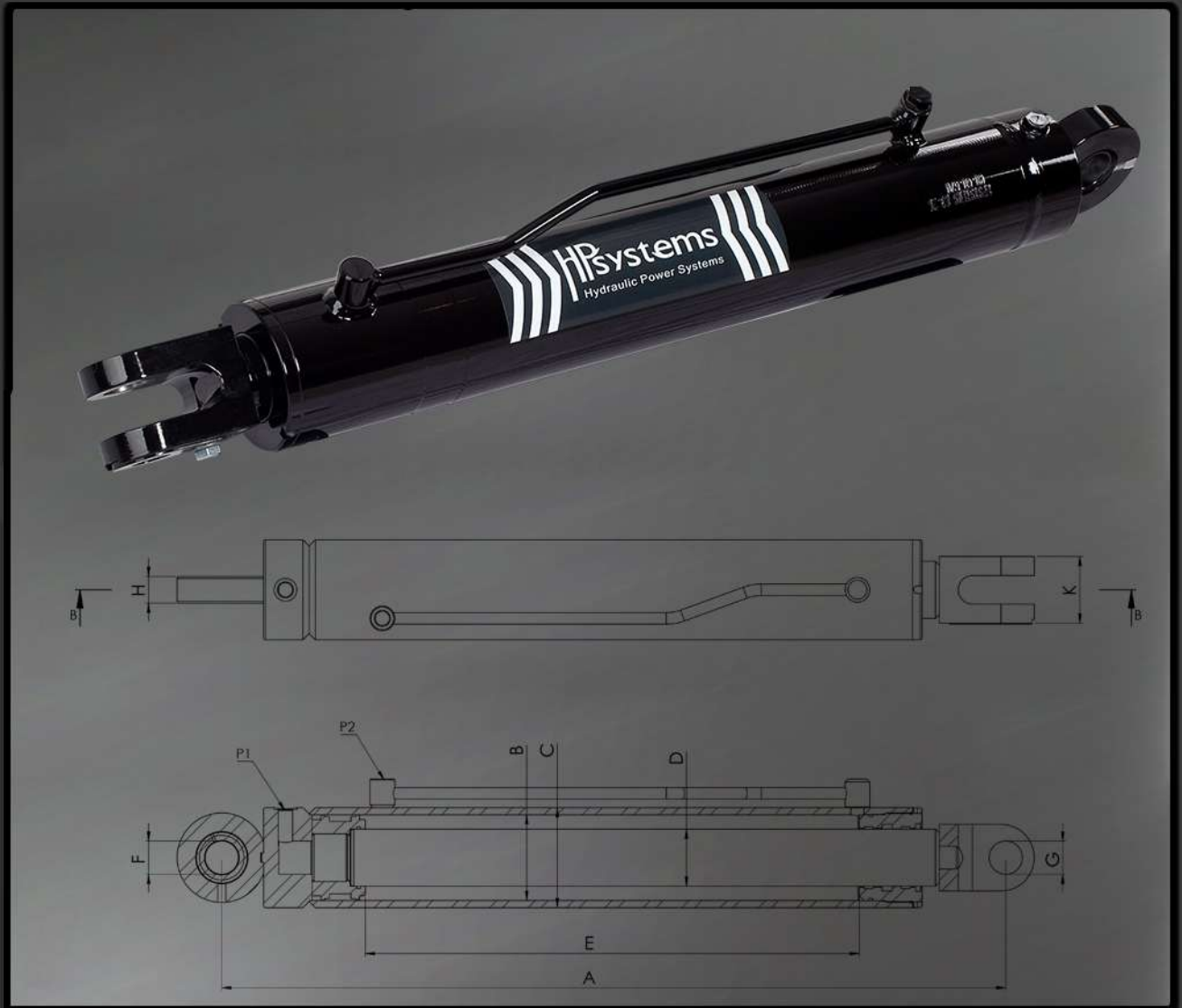


GARBAGE TRUCK TELESCOPIC CYLINDER										
A	B	C	D	E	F	G	H	R	P	STROK
1345										2845

WORKING PRESSURE 200 BAR			
STAGES	1.	2.	3.
BORU			
ROD			
PUSHING FORCE	25 Ton	16 Ton	7,85 Ton
PULLING FORCE	3,85 Ton	4,45 Ton	3 Ton

MAXIMUM WORKING PRESSURE : 250 BAR

13-15 M3 GARBAGE TRUCK TELESCOPIC CYLINDER

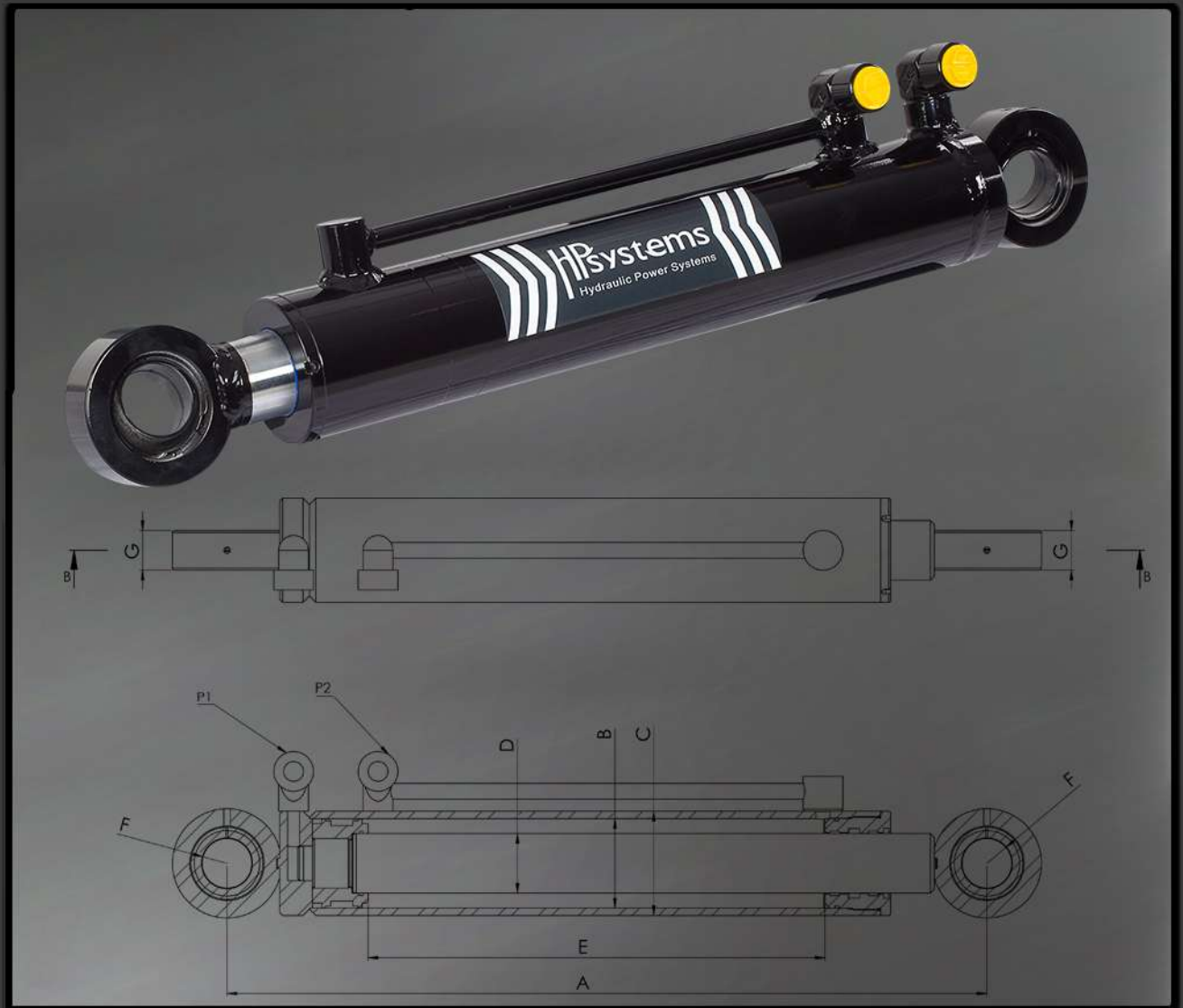


GARBAGE TRUCK TELESCOPIC CYLINDER										
A	B	C	D	E	F	G	H	R	P	STROK
1345										2845

WORKING PRESSURE 200 BAR			
STAGES	1.	2.	3.
BORU			
ROD			
PUSHING FORCE	25 Ton	16 Ton	7,85 Ton
PULLING FORCE	3,85 Ton	4,45 Ton	3 Ton

MAXIMUM WORKING PRESSURE : 250 BAR

13-15 M3 GARBAGE TRUCK TELESCOPIC CYLINDER

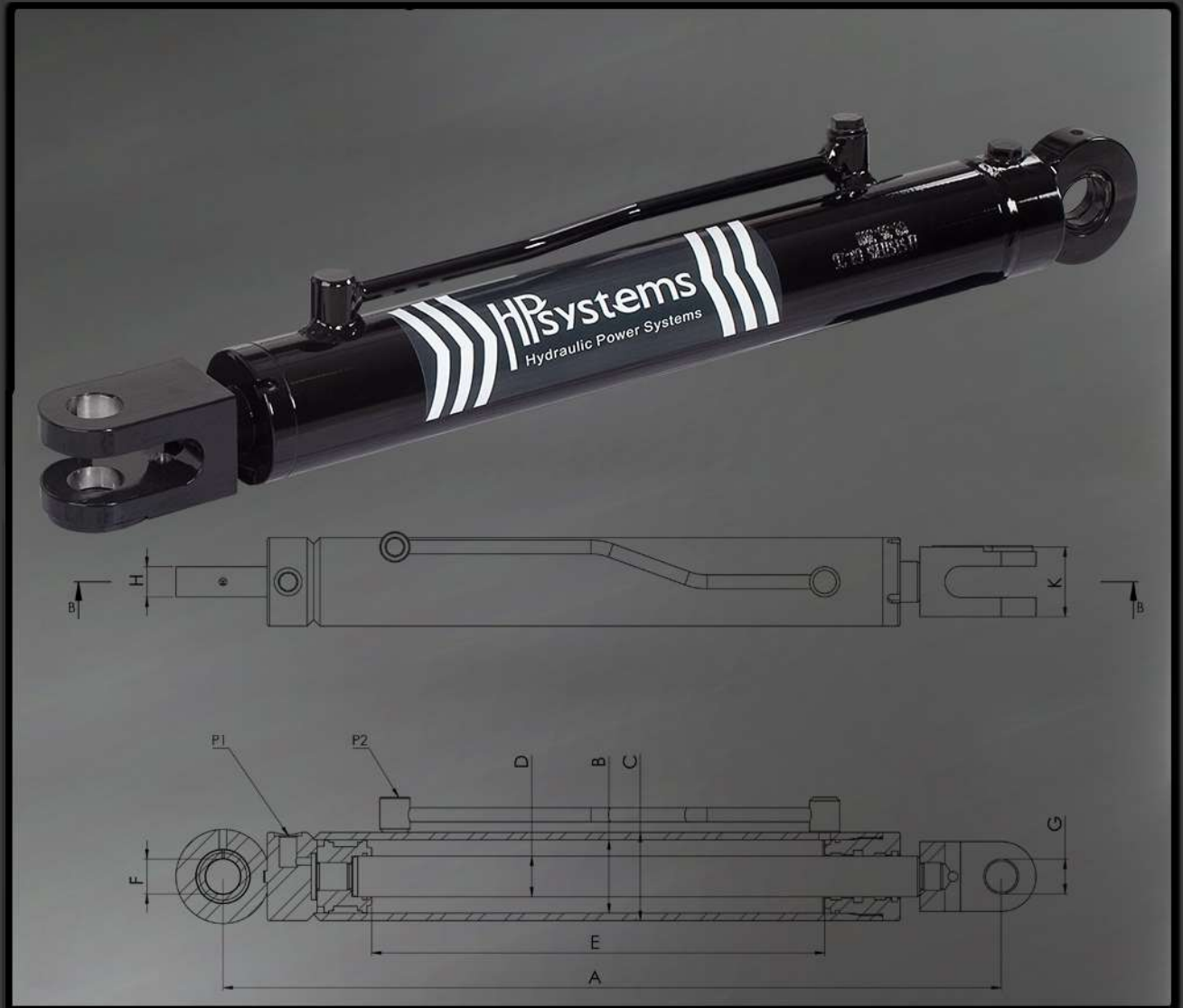


GARBAGE TRUCK TELESCOPIC CYLINDER										
A	B	C	D	E	F	G	H	R	P	STROK
1345										2845

WORKING PRESSURE 200 BAR			
STAGES	1.	2.	3.
BORU			
ROD			
PUSHING FORCE	25 Ton	16 Ton	7,85 Ton
PULLING FORCE	3,85 Ton	4,45 Ton	3 Ton

MAXIMUM WORKING PRESSURE : 250 BAR

13-15 M3 GARBAGE TRUCK TELESCOPIC CYLINDER



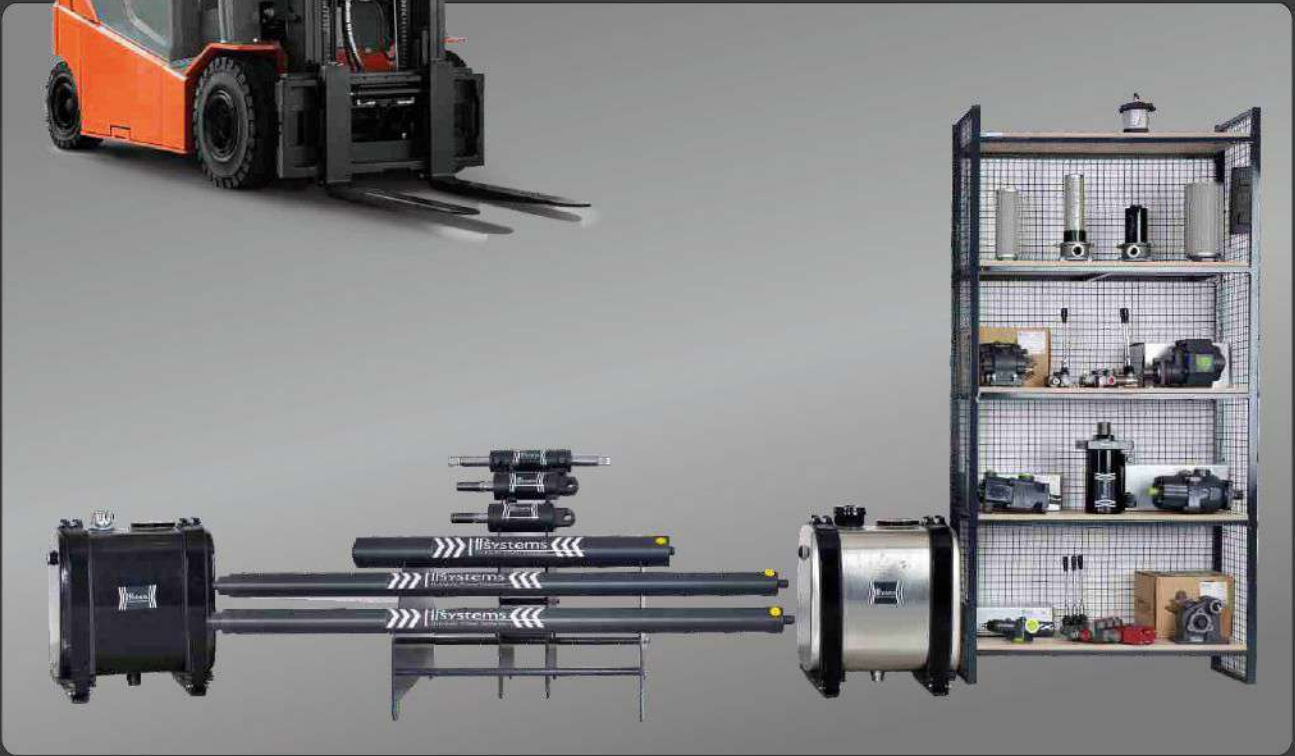
GARBAGE TRUCK TELESCOPIC CYLINDER										
A	B	C	D	E	F	G	H	R	P	STROK
1345										2845

WORKING PRESSURE 200 BAR			
STAGES	1.	2.	3.
BORU			
ROD			
PUSHING FORCE	25 Ton	16 Ton	7,85 Ton
PULLING FORCE	3,85 Ton	4,45 Ton	3 Ton

MAXIMUM WORKING PRESSURE : 250 BAR

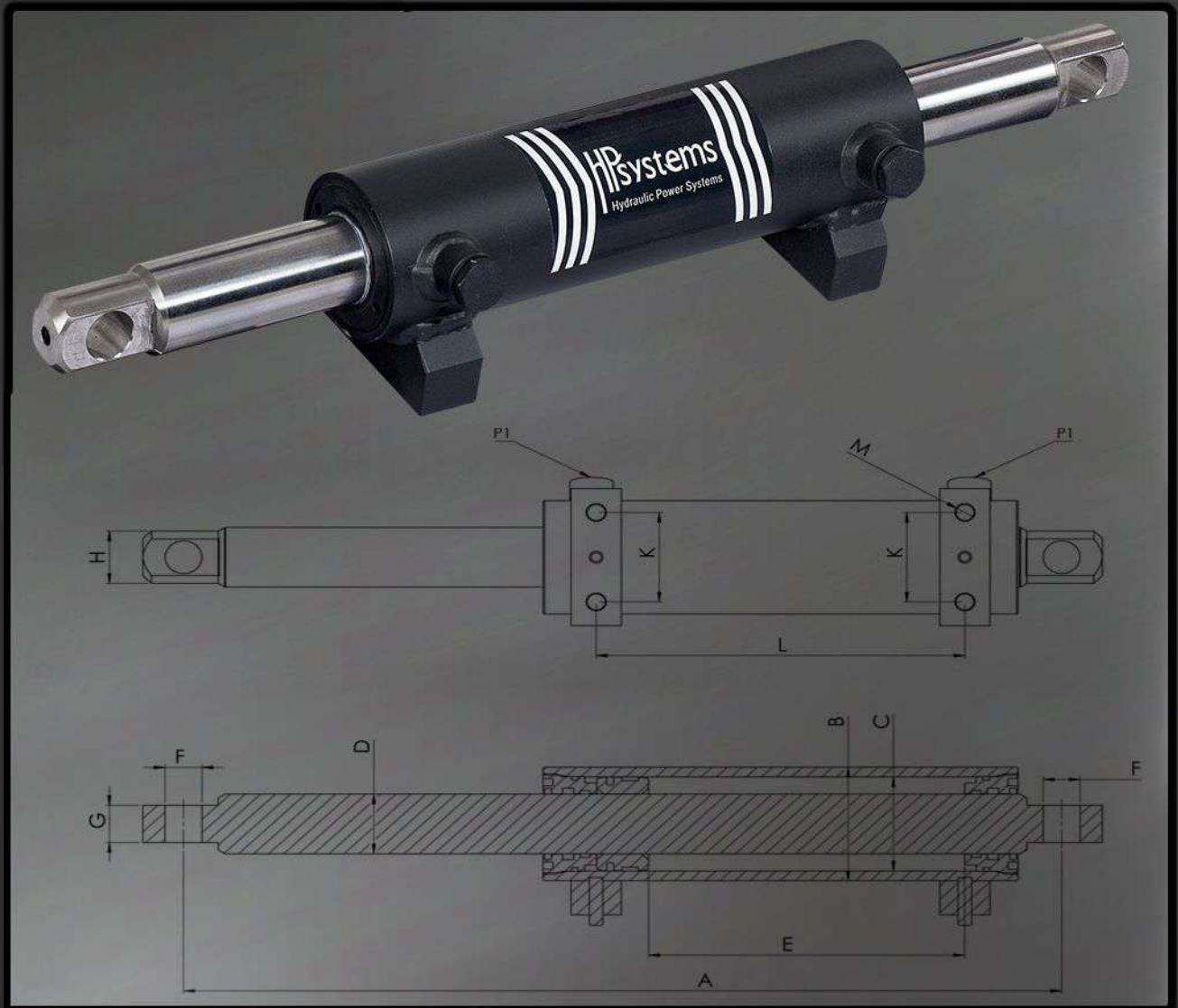


FORKLIFT SET



Hydraulic Power Systems

FORKLIFT CYLINDER

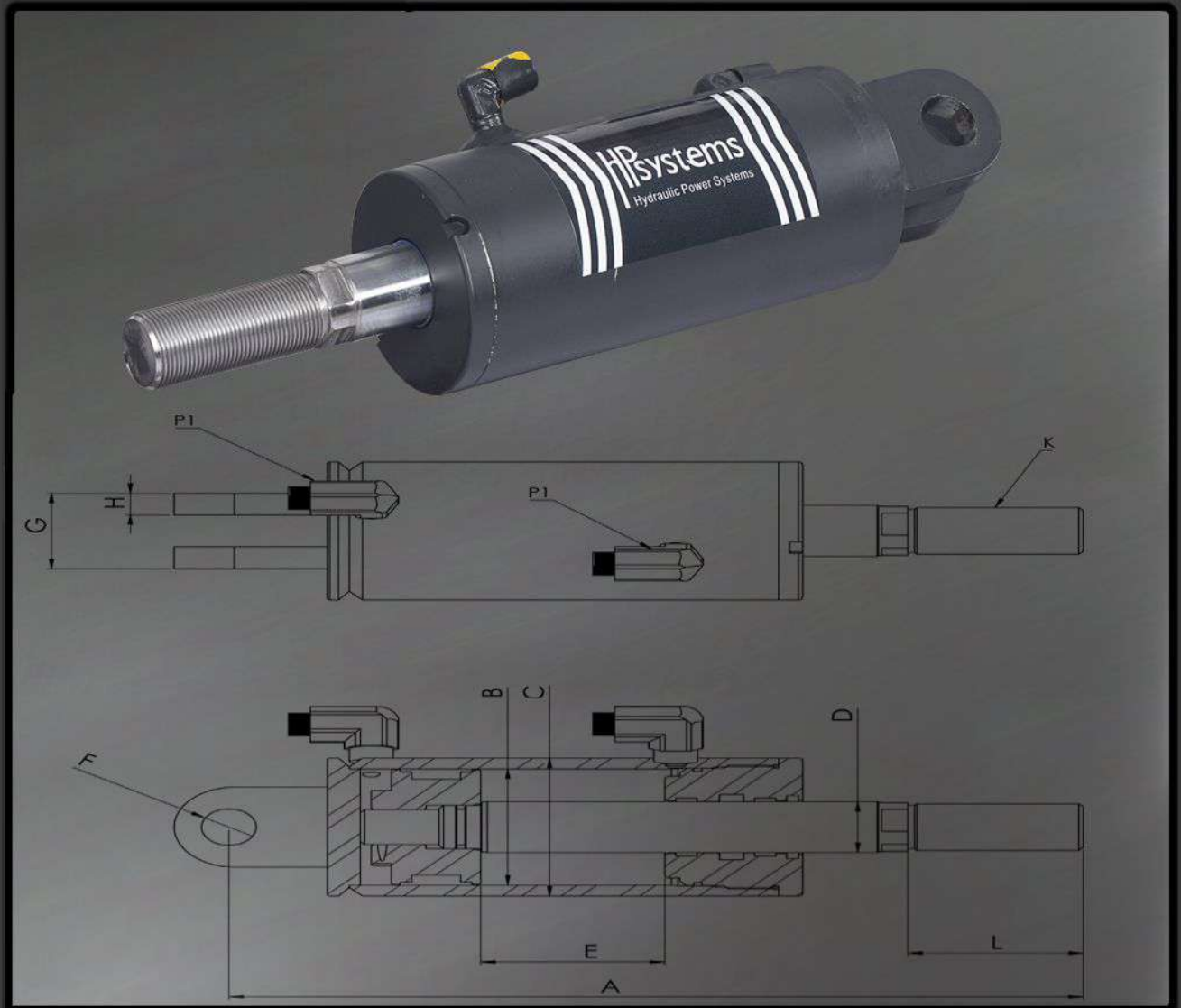


FORKLIFT CYLINDER										
A	B	C	D	E	F	G	H	R	P	STROK
1345										2845

WORKING PRESSURE 200 BAR			
STAGES	1.	2.	3.
BORU			
ROD			
PUSHING FORCE	25 Ton	16 Ton	7,85 Ton
PULLING FORCE	3,85 Ton	4,45 Ton	3 Ton

MAXIMUM WORKING PRESSURE : 250 BAR

FORKLIFT CYLINDER

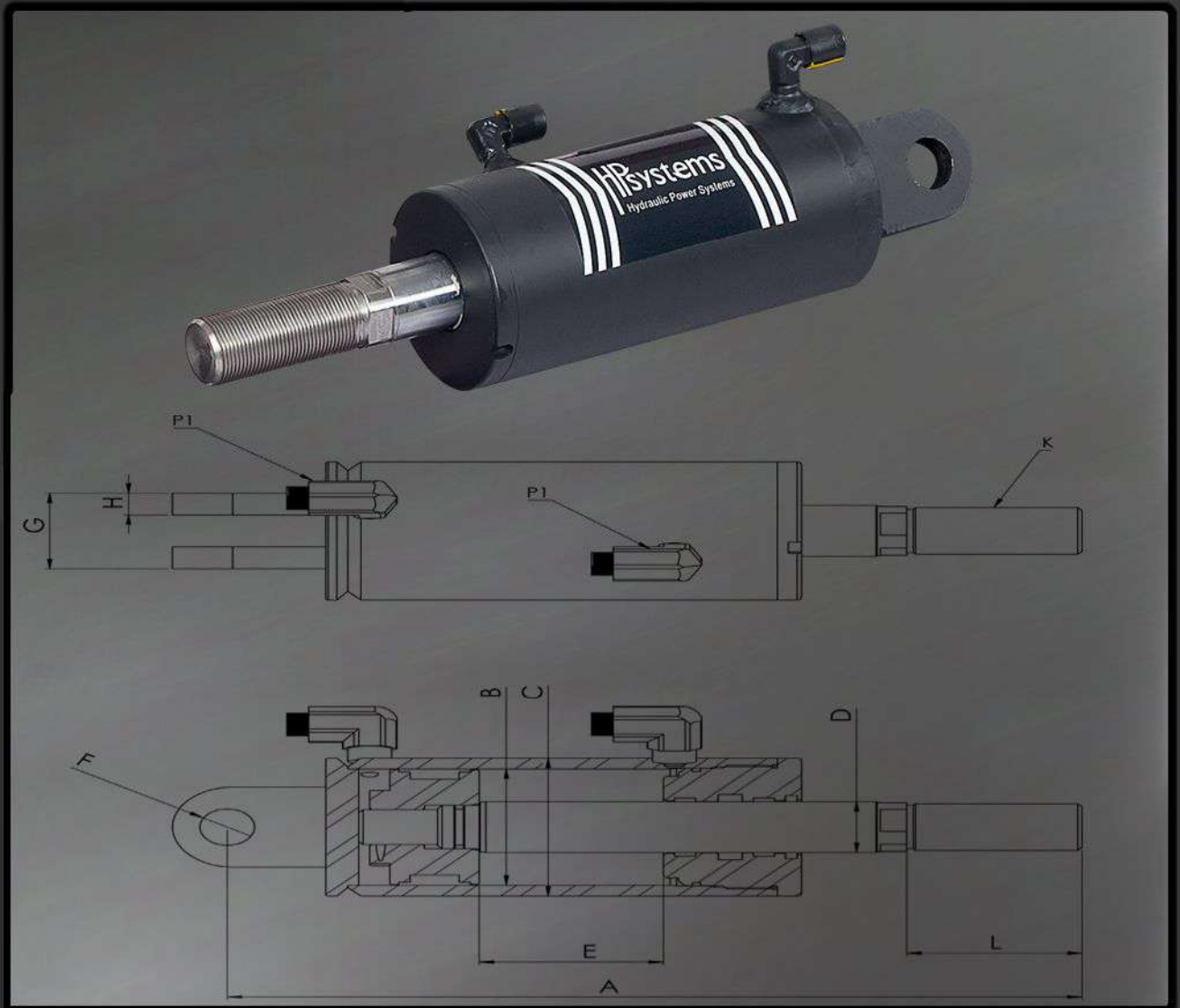


FORKLIFT CYLINDER										
A	B	C	D	E	F	G	H	R	P	STROK
1345										2845

WORKING PRESSURE 200 BAR			
STAGES	1.	2.	3.
BORU			
ROD			
PUSHING FORCE	25 Ton	16 Ton	7,85 Ton
PULLING FORCE	3,85 Ton	4,45 Ton	3 Ton

MAXIMUM WORKING PRESSURE : 250 BAR

FORKLIFT CYLINDER

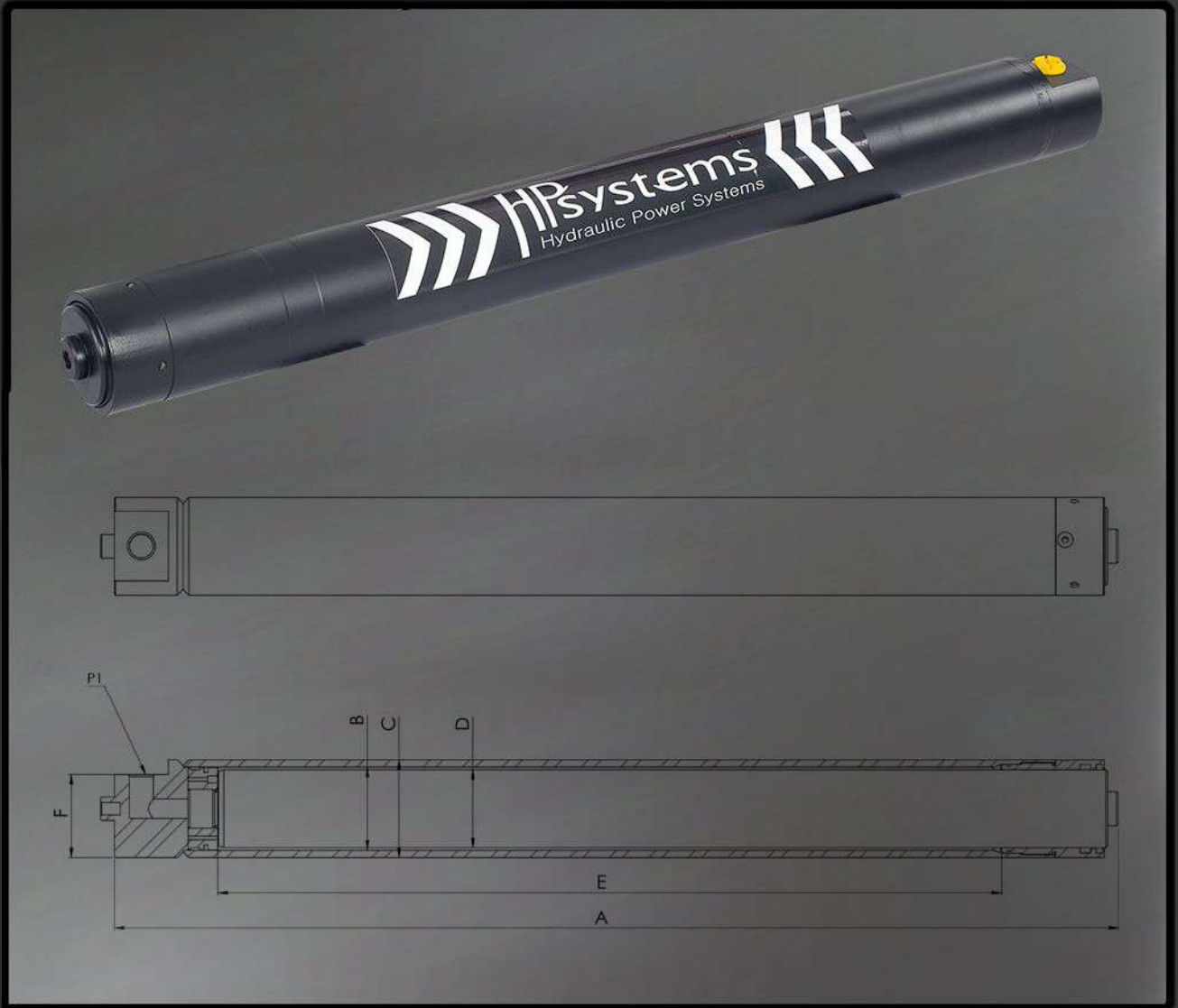


FORKLIFT CYLINDER										
A	B	C	D	E	F	G	H	R	P	STROK
1345										2845

WORKING PRESSURE 200 BAR			
STAGES	1.	2.	3.
BORU			
ROD			
PUSHING FORCE	25 Ton	16 Ton	7,85 Ton
PULLING FORCE	3,85 Ton	4,45 Ton	3 Ton

MAXIMUM WORKING PRESSURE : 250 BAR

FORKLIFT CYLINDER

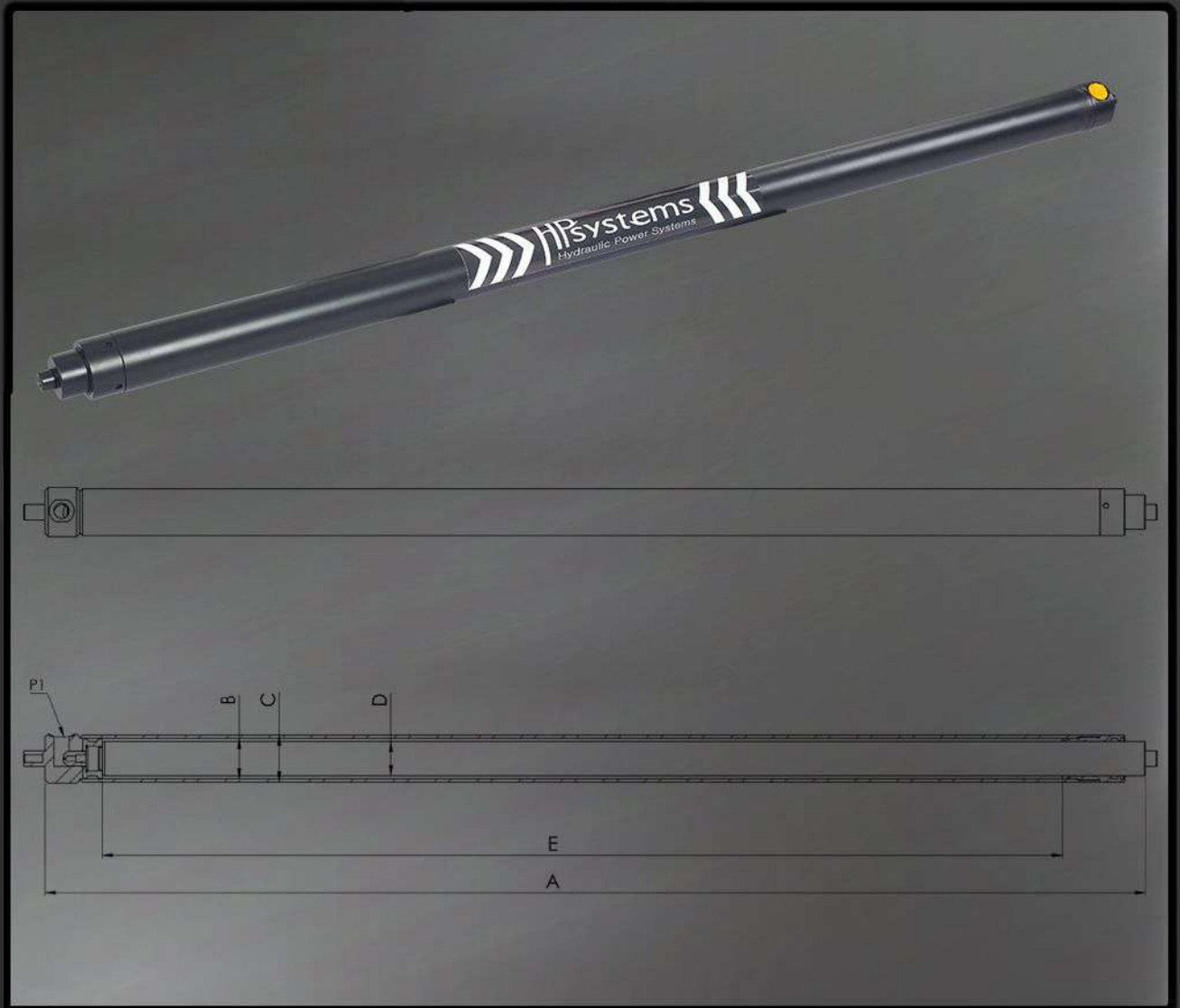


FORKLIFT CYLINDER										
A	B	C	D	E	F	G	H	R	P	STROK
1345										2845

WORKING PRESSURE 200 BAR			
STAGES	1.	2.	3.
BORU			
ROD			
PUSHING FORCE	25 Ton	16 Ton	7,85 Ton
PULLING FORCE	3,85 Ton	4,45 Ton	3 Ton

MAXIMUM WORKING PRESSURE : 250 BAR

FORKLIFT CYLINDER



FORKLIFT CYLINDER										
A	B	C	D	E	F	G	H	R	P	STROK
1345										2845

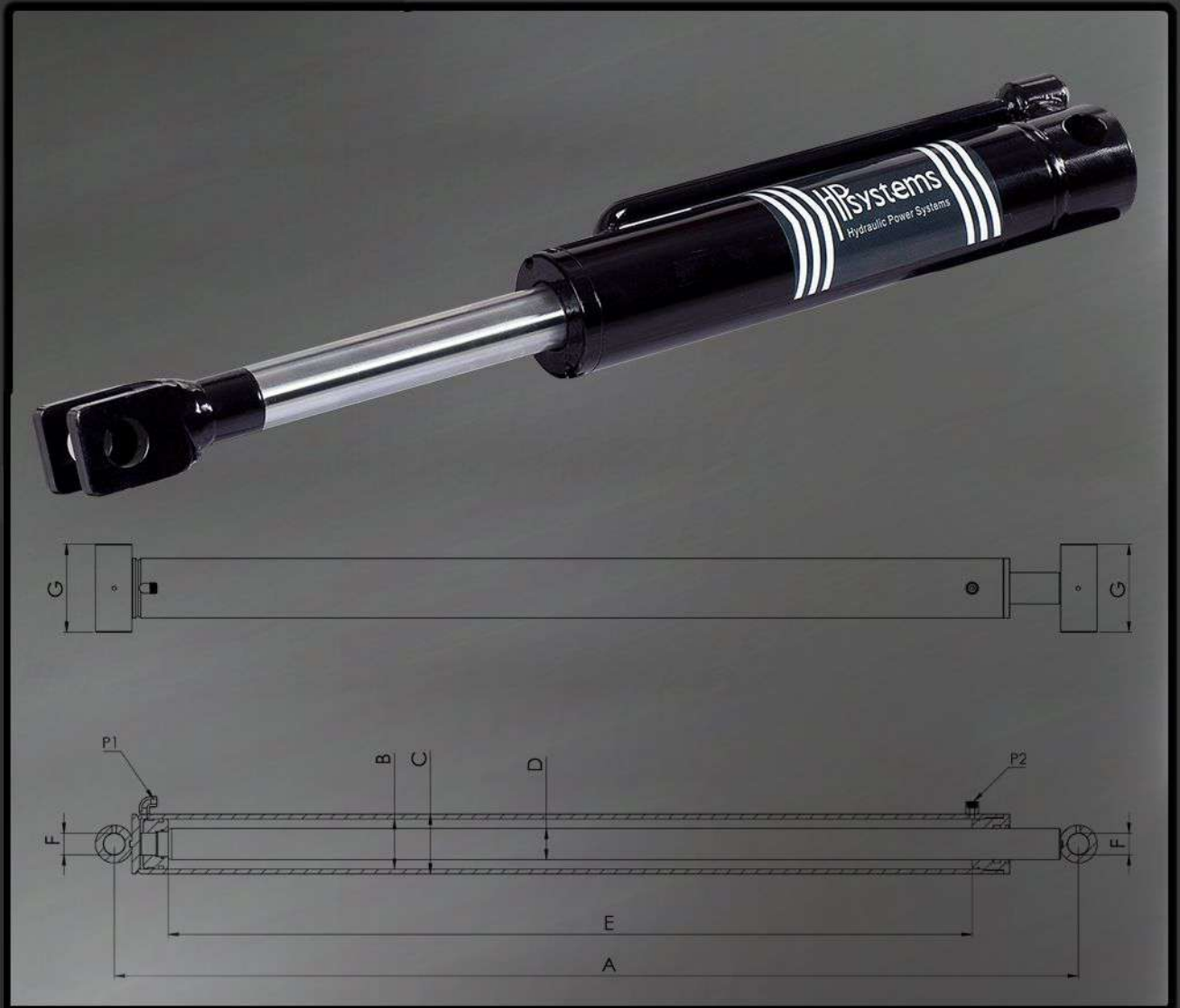
WORKING PRESSURE 200 BAR			
STAGES	1.	2.	3.
BORU			
ROD			
PUSHING FORCE	25 Ton	16 Ton	7,85 Ton
PULLING FORCE	3,85 Ton	4,45 Ton	3 Ton

MAXIMUM WORKING PRESSURE : 250 BAR

MANLIFT SET



MANLIFT SET



MANLIFT CYLINDER										
A	B	C	D	E	F	G	H	R	P	STROK
1345										2845

WORKING PRESSURE 200 BAR			
STAGES	1.	2.	3.
BORU			
ROD			
PUSHING FORCE	25 Ton	16 Ton	7,85 Ton
PULLING FORCE	3,85 Ton	4,45 Ton	3 Ton

MAXIMUM WORKING PRESSURE : 250 BAR

MANLIFT SET



MANLIFT CYLINDER										
A	B	C	D	E	F	G	H	R	P	STROK
1345										2845

WORKING PRESSURE 200 BAR			
STAGES	1.	2.	3.
BORU			
ROD			
PUSHING FORCE	25 Ton	16 Ton	7,85 Ton
PULLING FORCE	3,85 Ton	4,45 Ton	3 Ton

MAXIMUM WORKING PRESSURE : 250 BAR

MANLIFT SET



MANLIFT CYLINDER										
A	B	C	D	E	F	G	H	R	P	STROK
1345										2845

WORKING PRESSURE 200 BAR			
STAGES	1.	2.	3.
BORU			
ROD			
PUSHING FORCE	25 Ton	16 Ton	7,85 Ton
PULLING FORCE	3,85 Ton	4,45 Ton	3 Ton

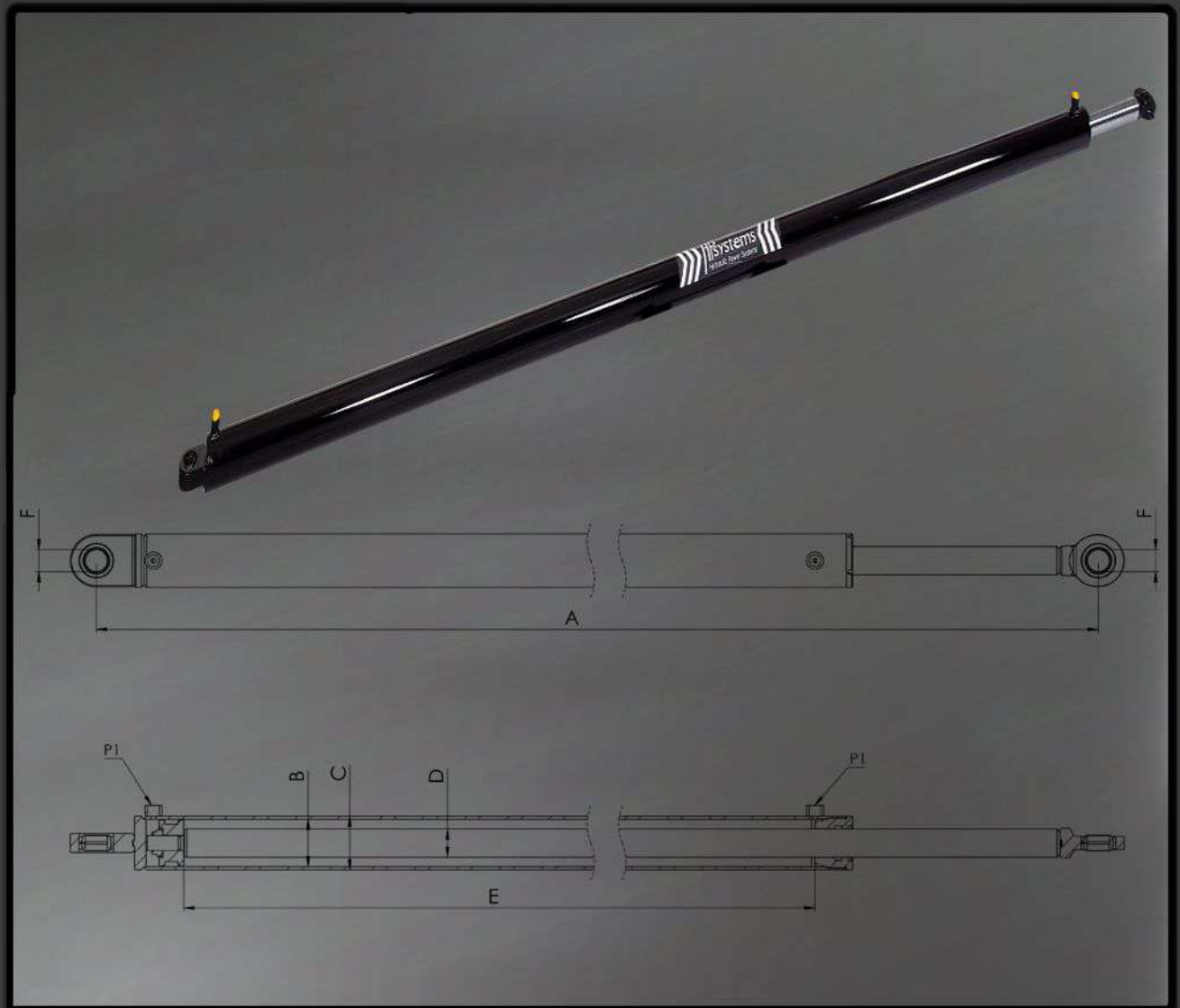
MAXIMUM WORKING PRESSURE : 250 BAR

SLIDING TRUCK



Hydraulic Power Systems

SLIDING TRUCK CYLINDER SET

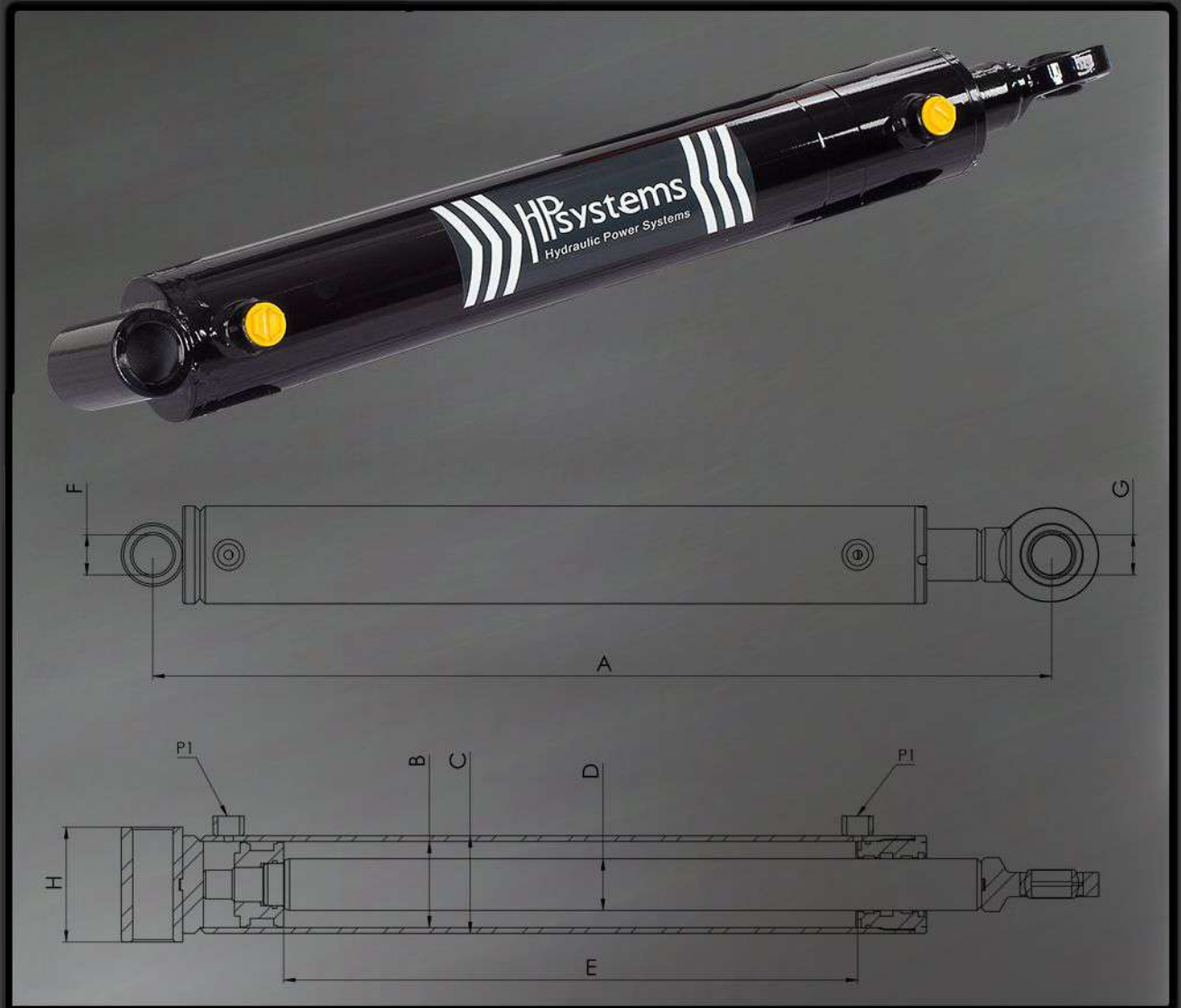


SLIDING TRUCK CYLINDER										
A	B	C	D	E	F	G	H	R	P	STROK
1345										2845

WORKING PRESSURE 200 BAR			
STAGES	1.	2.	3.
BORU			
ROD			
PUSHING FORCE	25 Ton	16 Ton	7,85 Ton
PULLING FORCE	3,85 Ton	4,45 Ton	3 Ton

MAXIMUM WORKING PRESSURE : 250 BAR

SLIDING TRUCK CYLINDER SET



SLIDING TRUCK CYLINDER										
A	B	C	D	E	F	G	H	R	P	STROK
1345										2845

WORKING PRESSURE 200 BAR			
STAGES	1.	2.	3.
BORU			
ROD			
PUSHING FORCE	25 Ton	16 Ton	7,85 Ton
PULLING FORCE	3,85 Ton	4,45 Ton	3 Ton

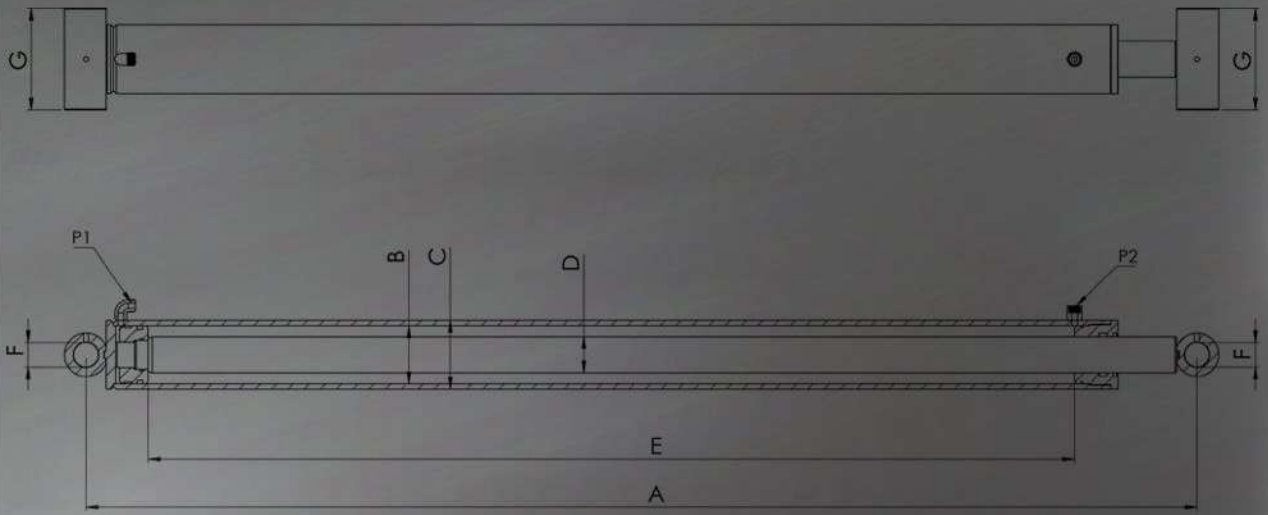
MAXIMUM WORKING PRESSURE : 250 BAR

AGRICULTURE MACHINE APPLICATION



Hydraulic Power Systems

AGRICULTURE MACHINE CYLINDERS

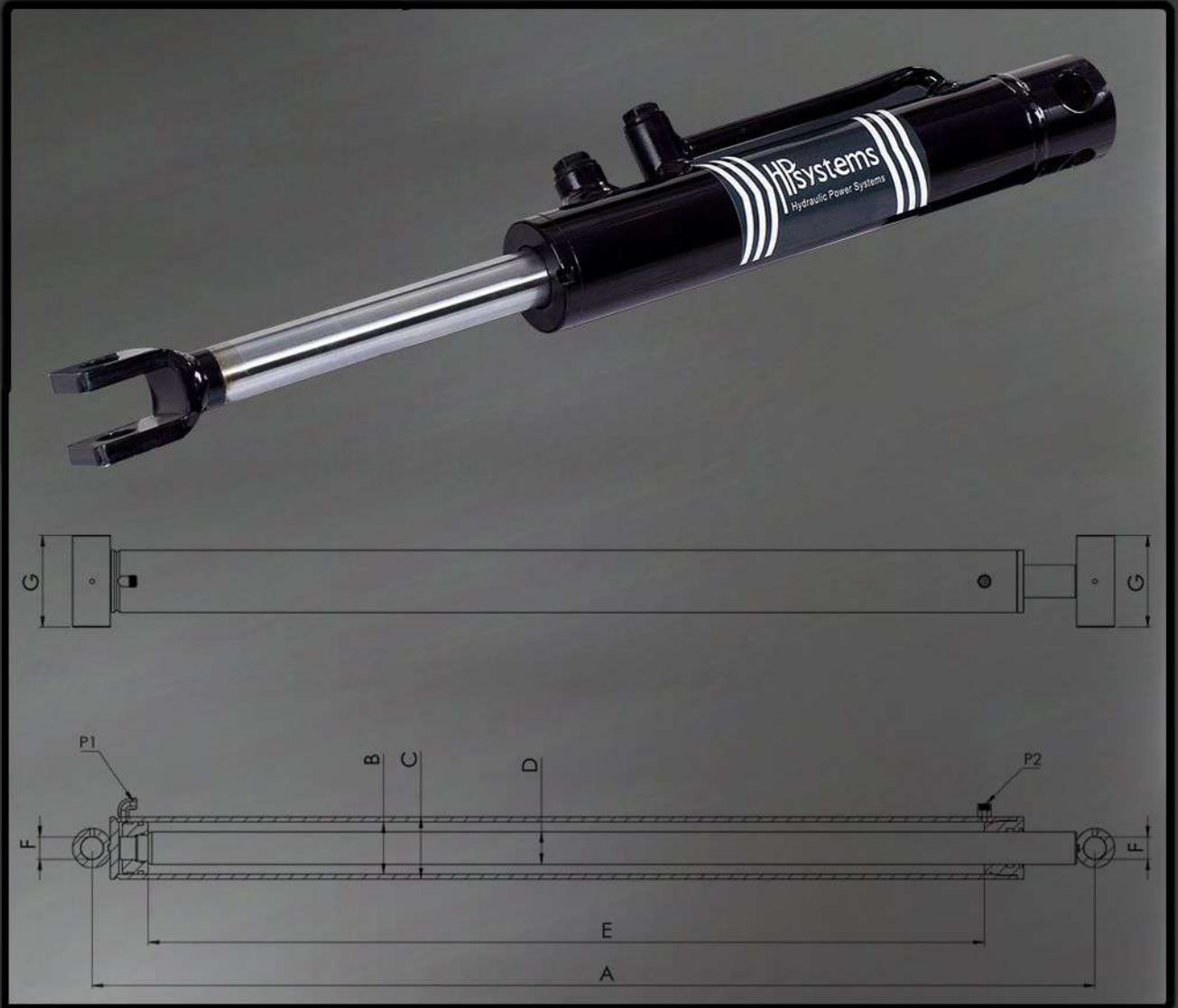


AGRICULTURE MACHINE CYLINDER										
A	B	C	D	E	F	G	H	R	P	STROK
1345										2845

WORKING PRESSURE 200 BAR			
STAGES	1.	2.	3.
BORU			
ROD			
PUSHING FORCE	25 Ton	16 Ton	7,85 Ton
PULLING FORCE	3,85 Ton	4,45 Ton	3 Ton

MAXIMUM WORKING PRESSURE : 250 BAR

AGRICULTURE MACHINE CYLINDERS



AGRICULTURE MACHINE CYLINDER										
A	B	C	D	E	F	G	H	R	P	STROK
1345										2845

WORKING PRESSURE 200 BAR			
STAGES	1.	2.	3.
BORU			
ROD			
PUSHING FORCE	25 Ton	16 Ton	7,85 Ton
PULLING FORCE	3,85 Ton	4,45 Ton	3 Ton

MAXIMUM WORKING PRESSURE : 250 BAR

AGRICULTURE MACHINE CYLINDERS



AGRICULTURE MACHINE CYLINDER										
A	B	C	D	E	F	G	H	R	P	STROK
1345										2845

WORKING PRESSURE 200 BAR			
STAGES	1.	2.	3.
BORU			
ROD			
PUSHING FORCE	25 Ton	16 Ton	7,85 Ton
PULLING FORCE	3,85 Ton	4,45 Ton	3 Ton

MAXIMUM WORKING PRESSURE : 250 BAR

AGRICULTURE MACHINE CYLINDERS



AGRICULTURE MACHINE CYLINDER										
A	B	C	D	E	F	G	H	R	P	STROK
1345										2845

WORKING PRESSURE 200 BAR			
STAGES	1.	2.	3.
BORU			
ROD			
PUSHING FORCE	25 Ton	16 Ton	7,85 Ton
PULLING FORCE	3,85 Ton	4,45 Ton	3 Ton

MAXIMUM WORKING PRESSURE : 250 BAR

AGRICULTURE MACHINE CYLINDERS



AGRICULTURE MACHINE CYLINDER										
A	B	C	D	E	F	G	H	R	P	STROK
1345										2845

WORKING PRESSURE 200 BAR			
STAGES	1.	2.	3.
BORU			
ROD			
PUSHING FORCE	25 Ton	16 Ton	7,85 Ton
PULLING FORCE	3,85 Ton	4,45 Ton	3 Ton

MAXIMUM WORKING PRESSURE : 250 BAR

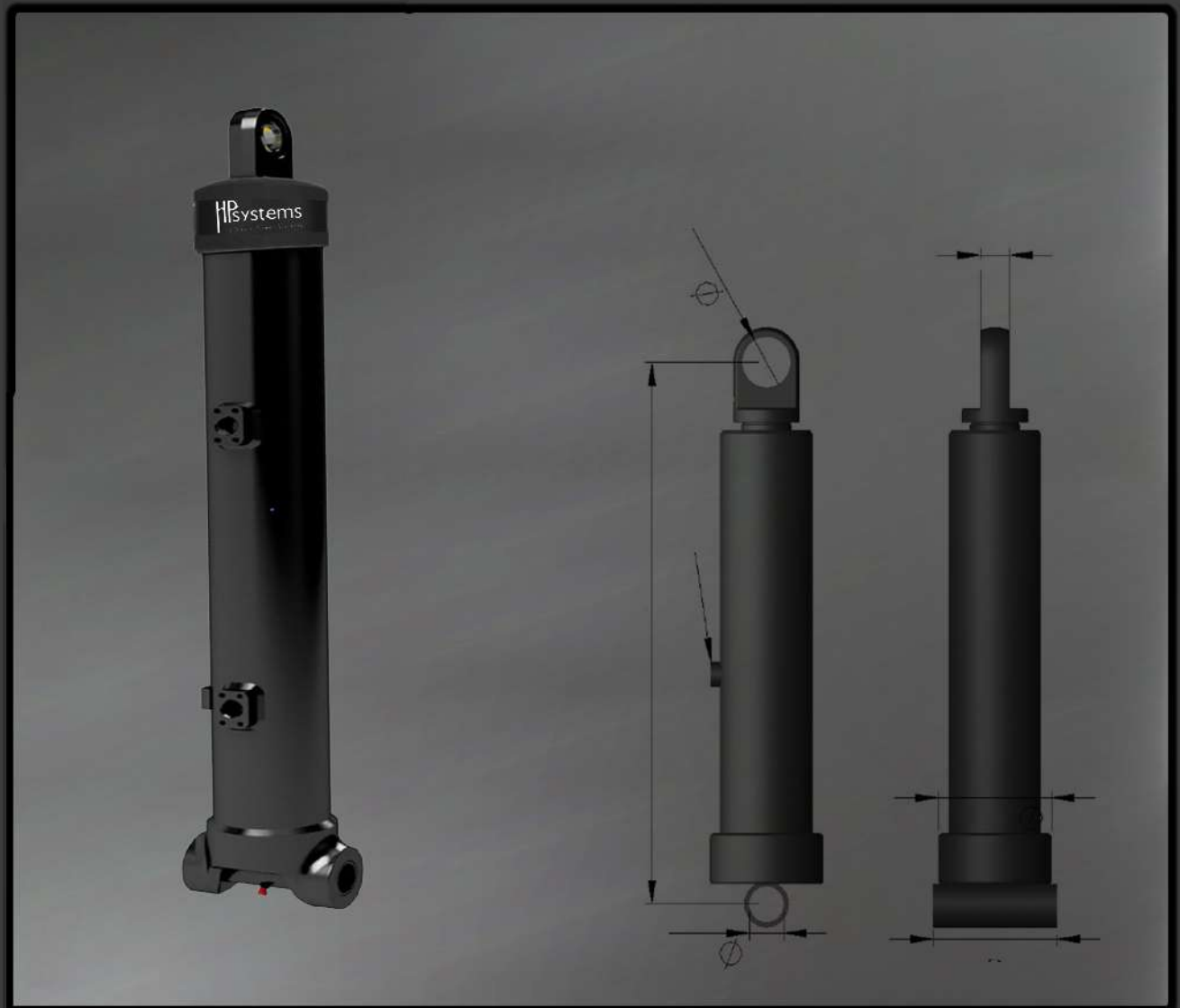


DUMPER TRUCK APPLICATION



Hydraulic Power Systems

DUMPER TRUCK APPLICATION



TECHNICAL SPECIFICATIONS



Working volume [lts]
Max.Working Pressure[bar]
Weight[kgs]
Min-Max.Cylinder Capacity [ton]

Stage no	1	2	3	4	5	Total stroke
Ø Stage [mm]						
Stroke [mm]						
Thrust at 170 Bar [ton]						

Hydraulic Power Systems

DUMPER TRUCK APPLICATION



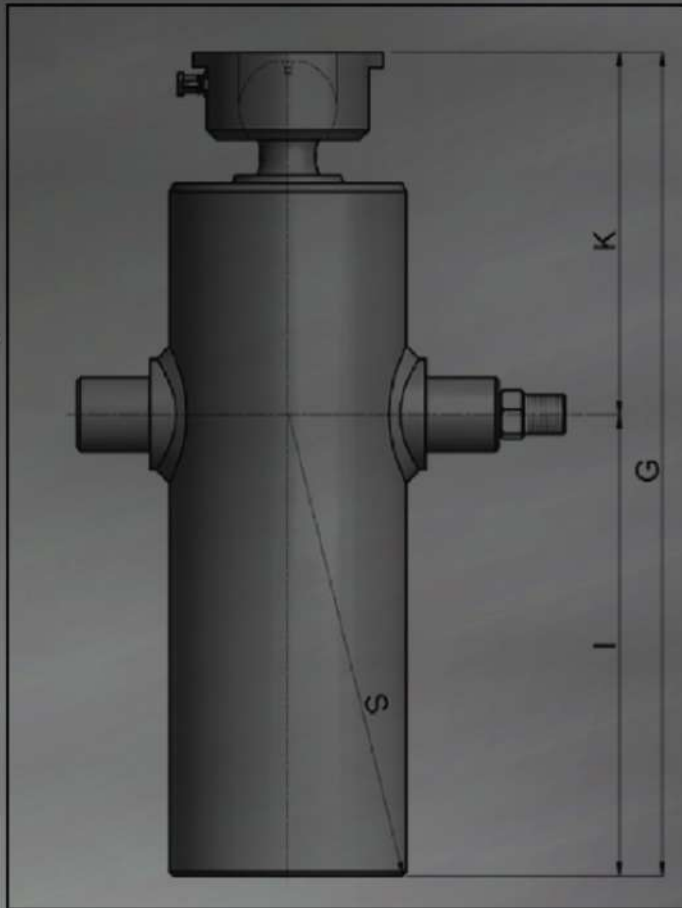
TECHNICAL SPECIFICATIONS



Working volume [lts]
Max.Working Pressure[bar]
Weight[kgs]
Min-Max.Cylinder Capacity [ton]

Stage no	1	2	3	4	5	Total stroke
Ø Stage [mm]						
Stroke [mm]						
Thrust at 170 Bar [ton]						

DUMPER TRUCK APPLICATION



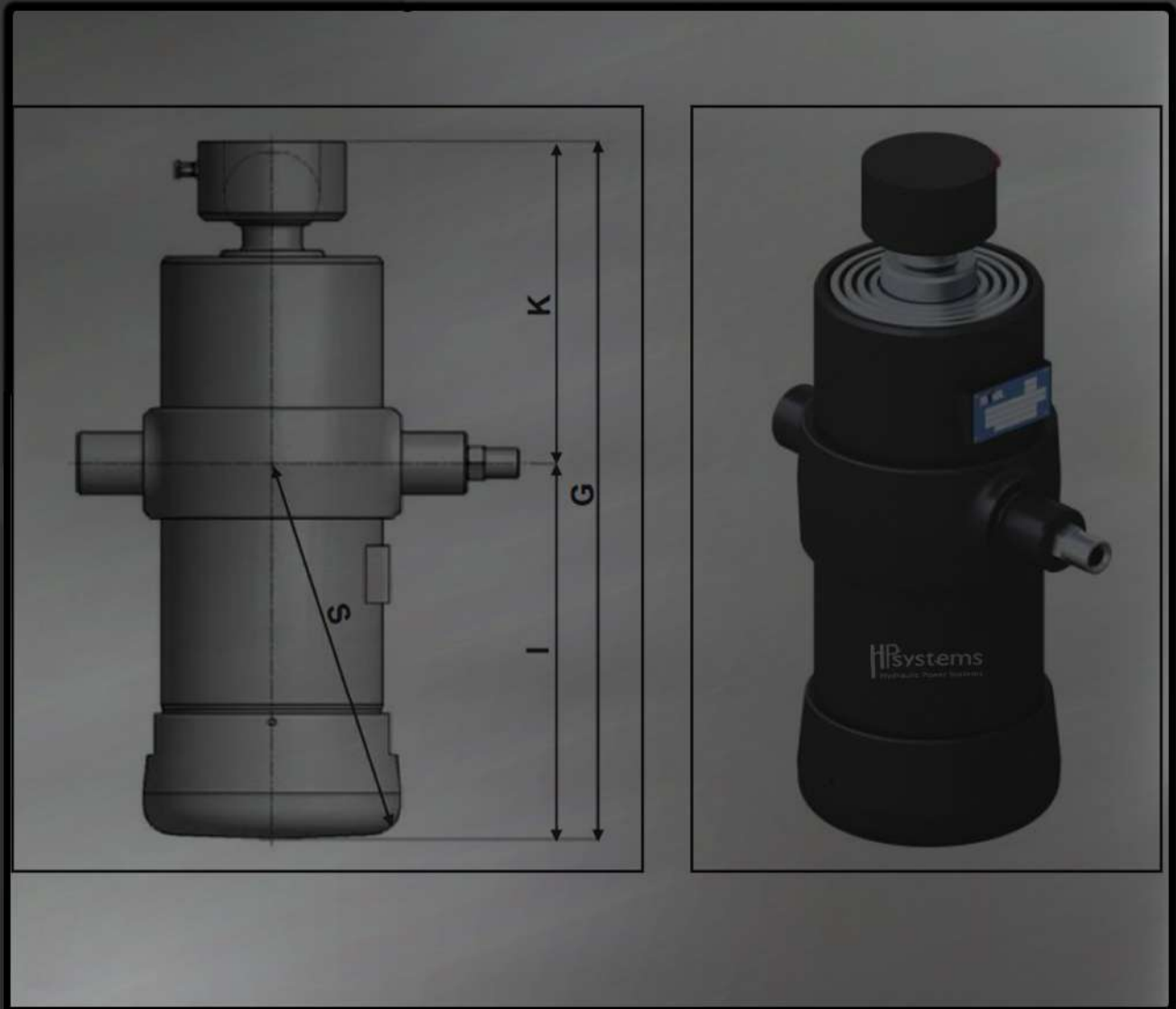
TECHNICAL SPECIFICATIONS



Working volume [lts]
Max.Working Pressure[bar]
Weight[kgs]
Min-Max.Cylinder Capacity [ton]

Stage no	1	2	3	4	5	Total stroke
Ø Stage [mm]						
Stroke [mm]						
Thrust at 170 Bar [ton]						

DUMPER TRUCK APPLICATION



TECHNICAL SPECIFICATIONS



Working volume [lts]
Max.Working Pressure[bar]
Weight[kgs]
Min-Max.Cylinder Capacity [ton]

Stage no	1	2	3	4	5	Total stroke
Ø Stage [mm]						
Stroke [mm]						
Thrust at 170 Bar [ton]						

DUMPER TRUCK APPLICATION



DUMPER TRUCK CYLINDER										
A	B	C	D	E	F	G	H	R	P	STROK
1345										2845

WORKING PRESSURE 200 BAR			
STAGES	1.	2.	3.
BORU			
ROD			
PUSHING FORCE	25 Ton	16 Ton	7,85 Ton
PULLING FORCE	3,85 Ton	4,45 Ton	3 Ton

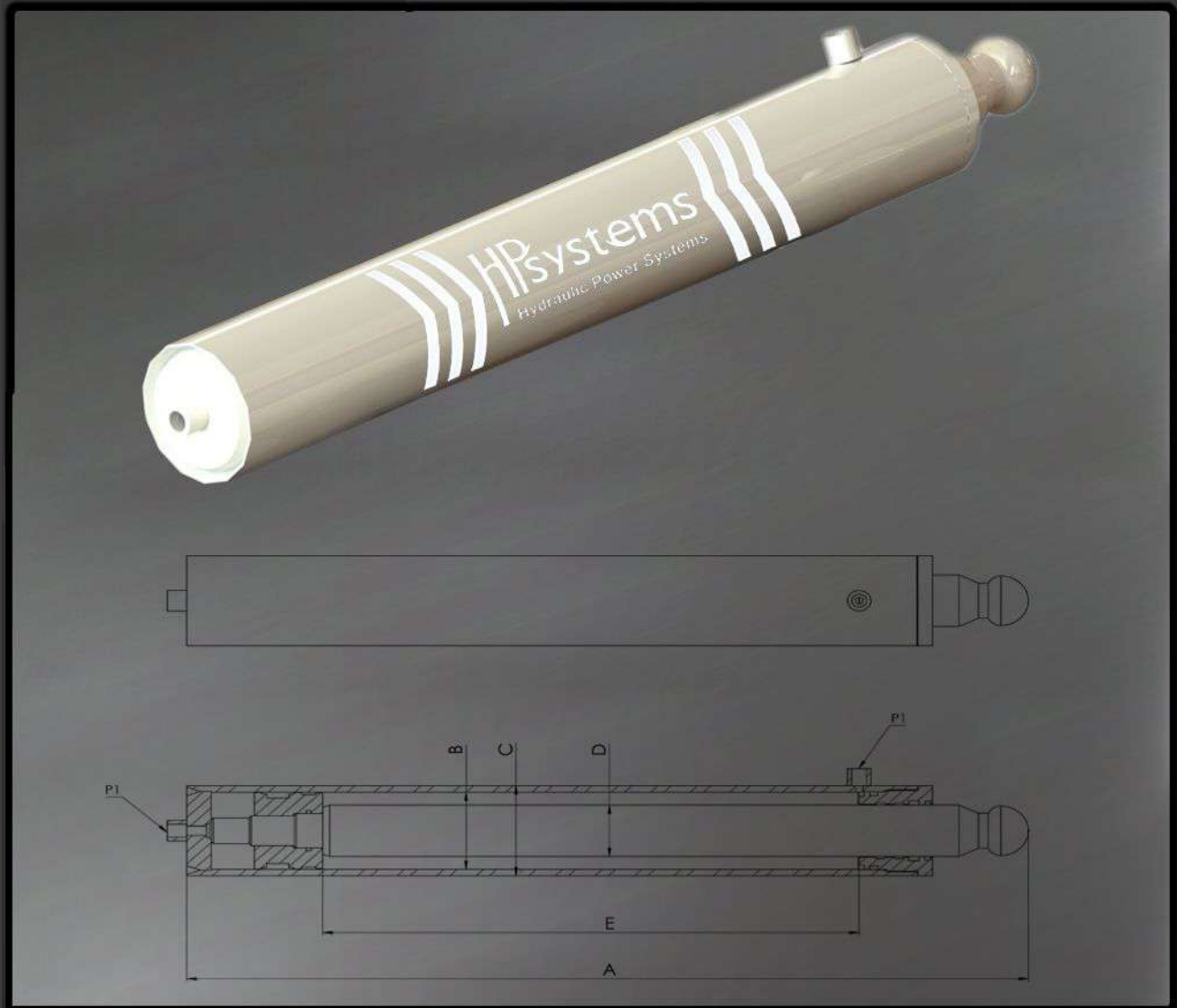
MAXIMUM WORKING PRESSURE : 250 BAR

PLATFORMS AND CRANE INDUSTRY



Hydraulic Power Systems

PLATFORMS AND CRANE INDUSTRY



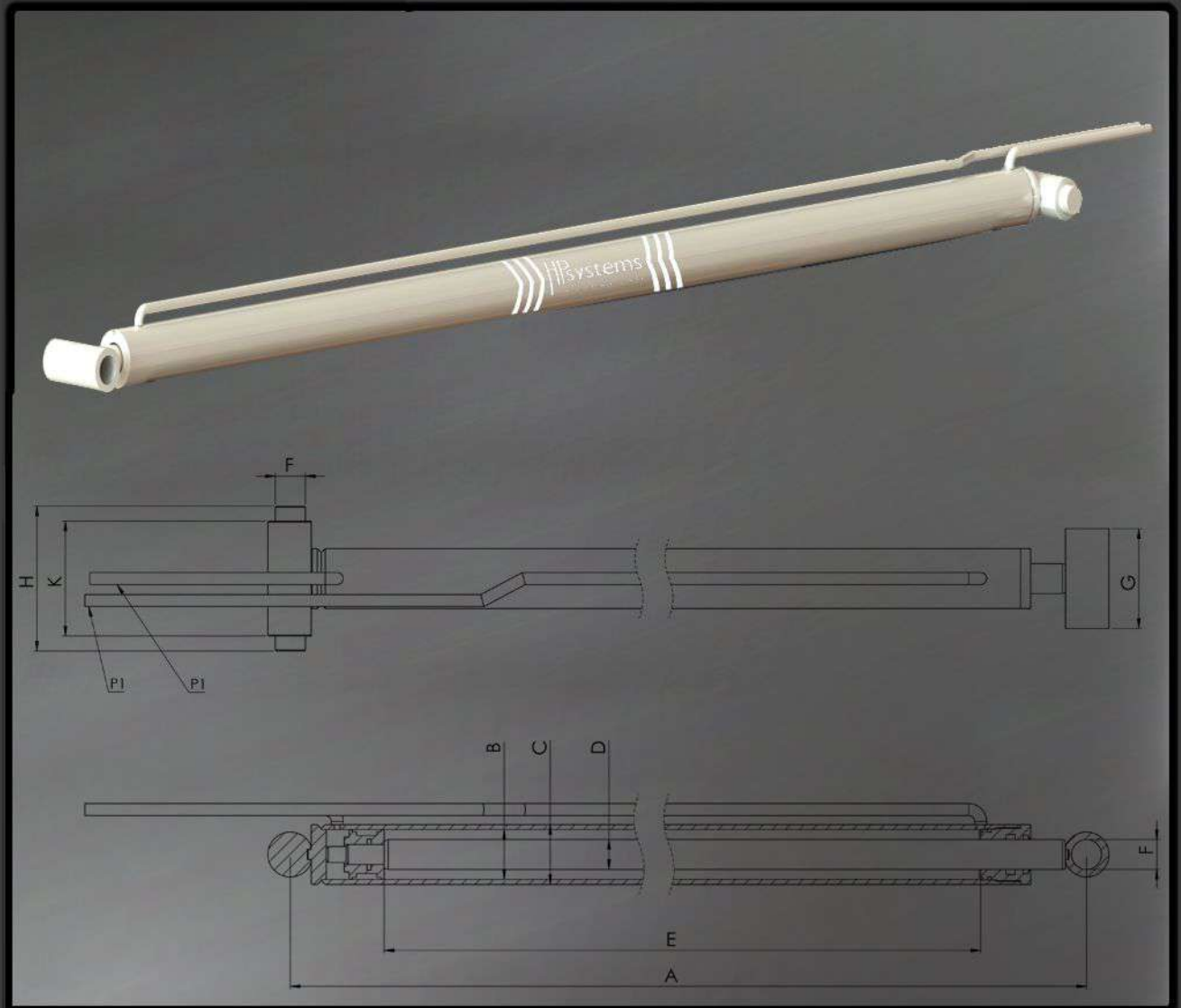
PLATFORMS AND CRANE CYLINDERS										
A	B	C	D	E	F	G	H	R	P	STROK
1345										2845

WORKING PRESSURE 200 BAR			
STAGES	1.	2.	3.
BORU			
ROD			
PUSHING FORCE	25 Ton	16 Ton	7,85 Ton
PULLING FORCE	3,85 Ton	4,45 Ton	3 Ton

MAXIMUM WORKING PRESSURE : 250 BAR

Hydraulic Power Systems

PLATFORMS AND CRANE INDUSTRY



PLATFORMS AND CRANE CYLINDERS										
A	B	C	D	E	F	G	H	R	P	STROK
1345										2845

WORKING PRESSURE 200 BAR			
STAGES	1.	2.	3.
BORU			
ROD			
PUSHING FORCE	25 Ton	16 Ton	7,85 Ton
PULLING FORCE	3,85 Ton	4,45 Ton	3 Ton

MAXIMUM WORKING PRESSURE : 250 BAR

PLATFORMS AND CRANE INDUSTRY

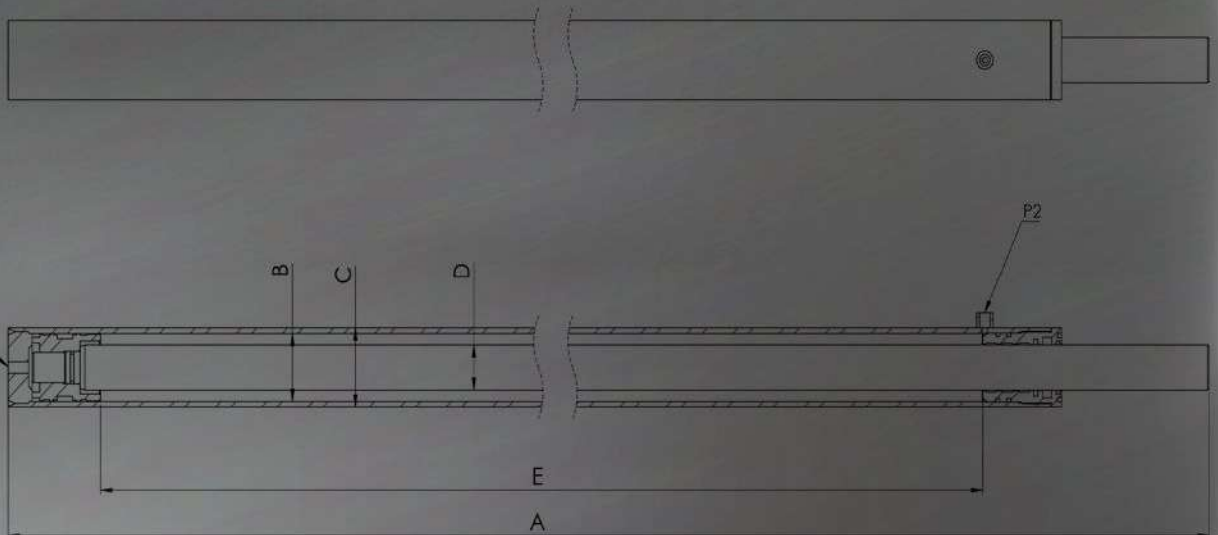


PLATFORMS AND CRANE CYLINDERS										
A	B	C	D	E	F	G	H	R	P	STROK
1345										2845

WORKING PRESSURE 200 BAR			
STAGES	1.	2.	3.
BORU			
ROD			
PUSHING FORCE	25 Ton	16 Ton	7,85 Ton
PULLING FORCE	3,85 Ton	4,45 Ton	3 Ton

MAXIMUM WORKING PRESSURE : 250 BAR

PLATFORMS AND CRANE INDUSTRY



PLATFORMS AND CRANE CYLINDERS										
A	B	C	D	E	F	G	H	R	P	STROK
1345										2845

WORKING PRESSURE 200 BAR			
STAGES	1.	2.	3.
BORU			
ROD			
PUSHING FORCE	25 Ton	16 Ton	7,85 Ton
PULLING FORCE	3,85 Ton	4,45 Ton	3 Ton

MAXIMUM WORKING PRESSURE : 250 BAR

CONSTRUCTION MACHINERY EQUIPMENTS



Hydraulic Power Systems

HPsystems®

Hydraulic Power Systems



HPSYSTEMS HYDRAULIC POWER SYSTEMS LTD

Adres :Aksaray Çevre Yolu No:363 Selçuklu/Konya

Telefon / Fax :0(332) 397 00 67

E-Mail :info@hpsystems.com.tr

HPsystems®

Hydraulic Power Systems



WE **H**AVE A FOOT**P**RI**S** EVERYWHERE IN THE WORLD

Hydraulic Power Systems